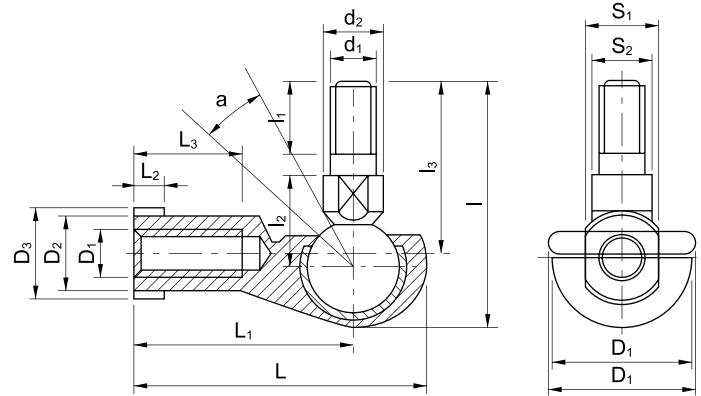


●球頭座為附有帶內螺紋的“L”向伸出杆，螺紋有左、右旋之分，用鋅基合金製造。
Ball joint housing is an axial shank with the female thread, It is made up of zinc base alloy, they are available for right or left-hand thread.



軸承型號 Bearings number	尺寸 Dimensions (mm)																		負荷KN Load ratings	重量 Weight (kg)
	d	d ₃	d ₂ min	d ₃ max	l max	l min	l ₂	L ₃ max	S ₁	L max	L ₁	L ₂ max	L ₃ min	D ₁ max	D ₂ max	D ₃ max	S ₂	a		
SQ 5-RS	5	M5×0.8	9	19	29	8	10	21	7	35	27	4	14	9	11	16	9	25	2.2	0.026
SQ 6-RS	6	M6×1.0	10	20	35.5	11	11	26	8	40	30	5	14	10	13	19	11	25	3.5	0.039
SQ 8-RS	8	M8×1.25	12	24	42.5	12	14	31	10	48	36	5	17	12.5	16	23	14	25	6.6	0.068
SQ 10-RS	10	M10×1.25	14	30	50.5	15	17	37	11	57	43	6.5	21	15	19	27	17	25	10	0.112
SQ 10-RS-1	10	M10×1.5	14	30	56.5	21	17	43	11	57	43	6.5	21	15	19	27	17	25	10	0.112
SQ 12-RS	12	M12×1.25	17	32	57.5	17	19	42	15	66	50	6.5	25	17.5	22	31	19	25	16	0.164
SQ 12-RS-1	12	M12×1.75	17	32	64.5	24	19	49	15	66	50	6.5	25	17.5	22	31	19	25	16	0.164
SQ 14-RS	14	M14×1.5	19	38	73.5	22	21.5	56	17	75	57	8	26	20	25	35	22	25	19	0.254
SQ 14-RS-1	14	M14×2.0	19	38	79.5	28	21.5	62	17	75	57	8	26	20	25	35	22	25	19	0.254
SQ 16-RS	16	M16×1.5	22	44	79.5	23	23.5	60	19	84	64	8	32	22	27	39	22	20	26	0.336
SQ 16-RS-1	16	M16×2.0	22	44	85.5	29	23.5	66	19	84	64	8	32	22	27	39	22	20	26	0.336
SQ 18-RS	18	M18×1.5	23	45	90	25	26.5	68	20	93	71	10	34	25	31	44	27	20	33	0.464
SQ 20-RS	20	M20×1.5	27	50	90	25	27	68	24	99	77	10	35	27.5	34	44	30	20	45	0.538
SQ 22-RS	22	M22×1.6	27	52	95	26	28	70	24	109	84	12	41	30	37	50	32	16	48	0.713

球頭座杆螺紋依然可為左旋，若是左旋，軸承型號和螺紋標記需加“L”螺紋標記應加“左”，例如：SQZL5-RS M5左-6H，不帶密封罩產品型號為SQZ...
The shank of ball joint housing may be left-hand thread, for left-hand thread suffix is added to bearings number and thread sign, e.g. SQZL5-RS M5L-6H, the bearings number without seal is SQZ...